



# NORWEST

## MANUFACTURING

71 SOUTH 215 WEST-RUPERT, ID- PHONE: (208) 436-1770 - FAX: (208) 436-1776

### SECTION 30 BLANKET & BAR HARROWS



BAR HARROWS



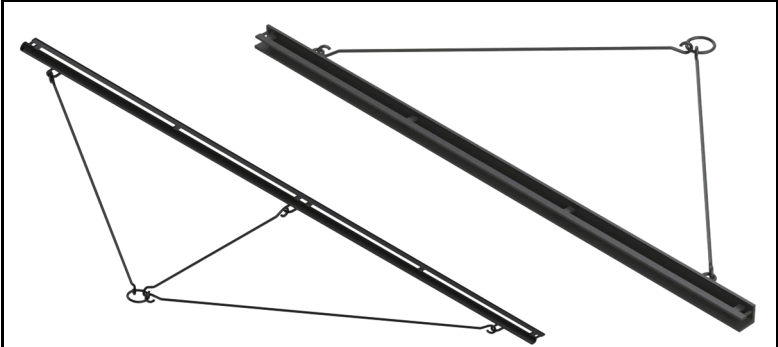
HEAVY DUTY DRAW BARS FOR BAR HARROWS



HARROW SPIKES



ATTACHMENTS & REPLACEMENT PARTS

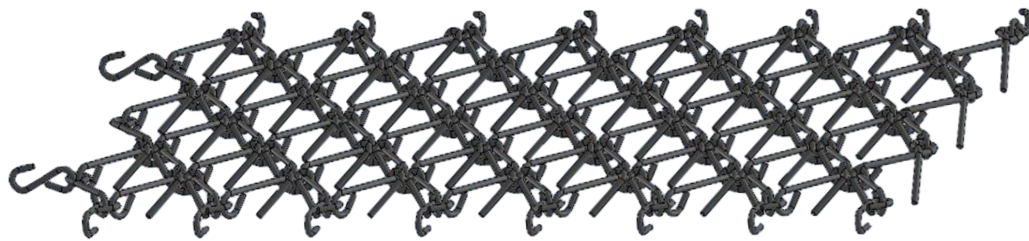


STANDARD & HEAVY DUTY DRAW BARS FOR BLANKET HARROWS



BLANKET HARROWS








# Blanket Harrows

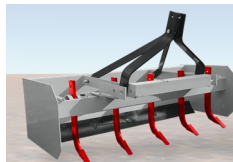


**Blanket Harrow Applications:** Pasture Renovation, Seed Bed Preparation, Landscape Preparation, Chemical Incorporation, Ball Park Maintenance, Snow Grooming for Ski Slopes, Race Track Maintenance & Dairy Lot Softening.

NORWEST PART NUMBER	DESCRIPTION	WEIGHT (LBS.)
<b>1/2" HARROW TEETH</b>		
153000	6' W x 4' D	97 Lbs.
153051	6' W x 5' D	127 Lbs.
153052	6' W x 6' D	157 Lbs.
153053	8' W x 4' D	137 Lbs.
153054	7' W x 4' D	146 Lbs.
153055	8' W x 5' D	145 Lbs.
153068	5' W x 4' D	85 Lbs.
153084	4' W x 4' D	75 Lbs.
<b>5/8" HARROW TEETH</b>		
<i>Compared to 1/2" Blanket Harrows, the 5/8" Harrows are over 42% Heavier. Our 5/8" Harrows boast longer tooth and hinge joint life and can be pulled up to 6 MPH without skipping or jumping.</i>		
153074	7' W x 4' D	188 Lbs.
153080	5' W x 7' D	160 Lbs.
153085	4' W x 4' D	82 Lbs.
153090	4' W x 8' D	150 Lbs.
153091	5' W x 6' D	138 Lbs.
153092	12' W x 4' D	272 Lbs.
153093	6' W x 5' D	181 Lbs.
153094	6' W x 4' D	138 Lbs.
153095	5' W x 4' D	121 Lbs.
153096	6' W x 6' D	224 Lbs.
153097	8' W x 4' D	195 Lbs.
153098	6' W x 8' D	276 Lbs.
153100	8' W x 8' D	395 Lbs.
153110	10' W x 6' D	420 Lbs.
153194	8' W x 6' D	276 Lbs.
153195	12' W x 8' D	544 Lbs.
153196	12' W x 6' D	447 Lbs.
153197	10' W x 4' D	241 Lbs.
153198	7' W x 8' D	376 Lbs.
153199	10' W x 8' D	485 Lbs.
153092H	12' W x 4' D	280 Lbs.
153197H	10' W x 4' D	210 Lbs.
153200H	14' W x 4' D	294 Lbs.
153201H	15' W x 4' D	315 Lbs.

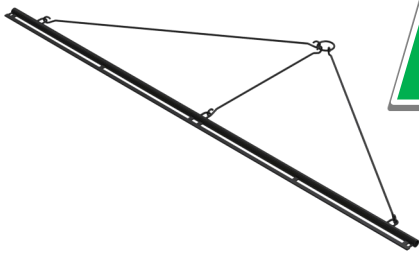
**DOUBLE TEETH ARE 1/2" or 5/8" HIGH CARBON STEEL.  
CONNECTORS ARE 1/2" MATERIAL.**

<b>BLANKET HARROW PARTS</b>		
NORWEST PART	NORWEST PART NUMBER	DESCRIPTION
<b>Double Teeth - 1/2" or 5/8"</b>		
	Y-153003	Double end tooth for 1/2" Blanket Harrows
	Y-153003H	Double end tooth for 5/8" Blanket Harrows
<b>Connectors - 1/2"</b>		
	Y-153004	Side Hook for All Norwest Blanket Harrows
	Y-153005	Single Tooth for All Norwest Blanket Harrows
	Y-153007	Front Hook for All Norwest Blanket Harrows
	Y-153012	Rear Hook / Side for All Norwest Blanket Harrows
	Y-153078	Formed Yoke for All Norwest Blanket Harrows



**Doing Arena Maintenance?**

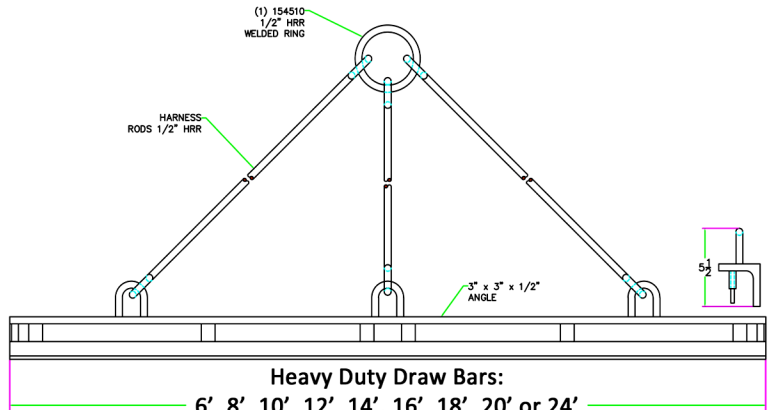
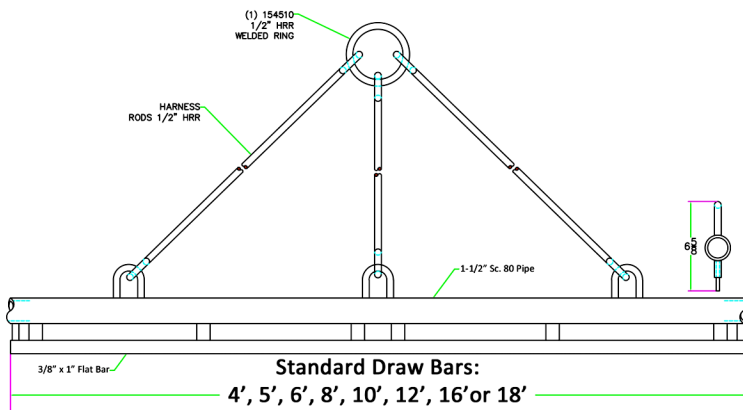
See: **Ripper Points - 600-15** for Box Scraper Shanks and Points!



# Draw Bars for Blanket Harrows

NORWEST PART NUMBER	DESCRIPTION	WEIGHT (LBS.)
<b>STANDARD DRAW BARS</b>		
<p><i>Standard draw bars are fabricated from 1-1/2" Extra heavy pipe. Eyelets provide ease in harrow attachment. Draw bars keep harrows evenly spread and flat for best field results. Harrows can be towed in any mode with our Standard Draw Bar.</i></p>		
153099	4'	26 Lbs.
153070	5'	31 Lbs.
153062	6'	36 Lbs.
153058	8'	50 Lbs.
153075	10'	60 Lbs.
153015	12'	70 Lbs.
153048	16'	94 Lbs.
153030	18'	107 Lbs.
<b>HEAVY DUTY DRAW BARS</b>		
<p><i>Heavy Duty draw bars are fabricated from tough 3" x 3" x 1/2" angle iron. New Design allows for quick and easy harrow attachment. Our Heavy Duty draw bars are 65% heavier than the standard draw bar for better leveling action and longer life.</i></p>		
153206	6' HD	62 Lbs.
153208	8' HD	81 Lbs.
153210	10' HD	99 Lbs.
153212	12' HD	118 Lbs.
153214	14' HD	137 Lbs.
153216	16' HD	156 Lbs.
153218	18' HD	175 Lbs.
153220	20' HD	219 Lbs.
153224	24' HD	250 Lbs.

<b>DRAW BAR PARTS &amp; ATTACHMENTS</b>		
NORWEST PART	NORWEST PART NUMBER	DESCRIPTION
	154510	1/2" Welded Ring for Norwest Draw Bars
	153041	Norwest Adaptor to make 24' draw bar (Standard Draw Bars Only)
	153042	Bar connector used for 24' draw bar adaptor (Standard Draw Bars Only)



# — 5 BAR —

# SPIKE HARROWS

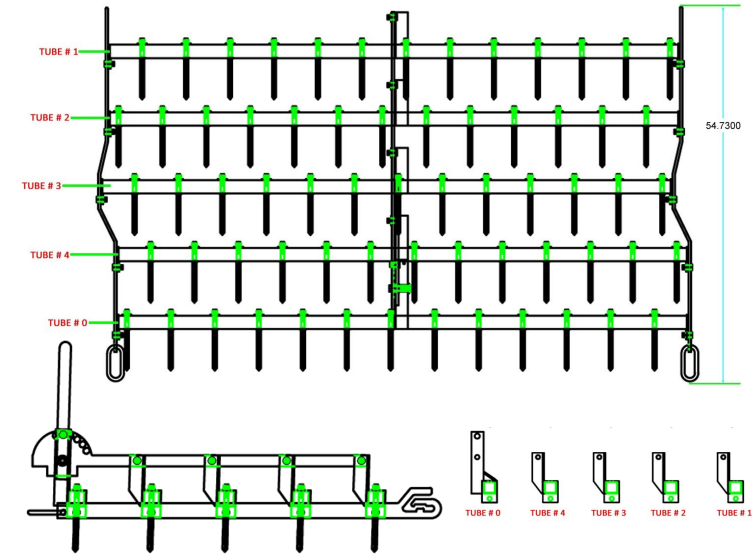


NORWEST PART NUMBER	DESCRIPTION	WEIGHT (LBS.)
<i>5 Bar Spike Harrow Sections</i>		
153095SH	5' W x 4' L	156 Lbs.
153096SH	6' W x 4' L	178 Lbs.
153097SH	7' W x 4' L	200 Lbs.

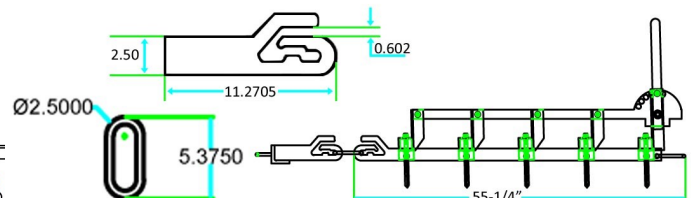
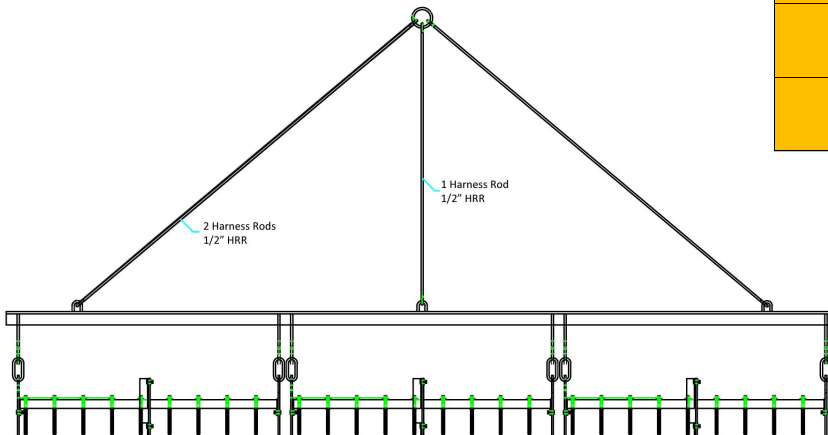
SPIKE HARROW TUBES			
HARROW BAR PART NUMBER	5' HARROWS	6' HARROWS	7' HARROWS
<b>Tube # 1</b>	Y-153095/1/	Y-153096/1/	Y-153097/1/
<b>Tube # 2</b>	Y-153095/2/	Y-153096/2/	Y-153097/2/
<b>Tube # 3</b>	Y-153095/3/	Y-153096/3/	Y-153097/3/
<b>Tube # 4</b>	Y-153095/4/	Y-153096/4/	Y-153097/4/
<b>Tube # 0</b>	Y-153095/0/	Y-153096/0/	Y-153097/0/

## SPIKE HARROW PARTS

NORWEST PART	NORWEST PART NUMBER	DESCRIPTION
<i>For All Norwest Spike Harrows</i>		
	Y-153095AB	Middle Adjusting Rail
	Y-153095HANDLE	Adjusting Handle
	Y-153095LSR	Left Side Rail
	Y-153095RSR	Right Side Rail
	153-PIN	Clevis Pin for Square Harrow Bars
	153-SPRING	Spring for Harrow Adjustment Handle
	RP25-1.125	1/4" x 1-1/8" Roll Pin
	PHT5878-NOR	5/8" x 7/8" x 9" Harrow Spike
	Y-153SHRR	Connector bolt for Multiple Harrow Assembly's



NORWEST PART NUMBER	DESCRIPTION	WEIGHT (LBS.)
<i>Heavy Duty Draw Bar Assembly's</i>		
153210SH	10'	95 Lbs.
153215SH	15'	143 Lbs.
153220SH	20'	191 Lbs.



# HARROW SPIKES



Fig. 1

CLAMP ATTACHMENT		PIPE ATTACHMENT		SQUARE BAR ATTACHMENT	
PART STYLE	PART NUMBER	DESCRIPTION (A)	LENGTH (B)	THREAD SIZE (C) STUD LENGTH (D)	ATTACHMENT METHOD
1	PHT5878-1	5/8" x 7/8" DIAMOND with THREAD	8"	7/16" x 2-3/8"	PIPE 1-1/4" DIAMETER
1	PHT5878-11	5/8" x 7/8" DIAMOND with THREAD	8-1/2"	7/16" x 2-3/8"	PIPE 1-1/4" DIAMETER
1	PHT5878-21	5/8" x 7/8" DIAMOND with THREAD	8-1/2"	1/2" x 2-3/8"	PIPE 1-1/4" DIAMETER
1	PHT5878-NOR	5/8" x 7/8" DIAMOND with THREAD	9"	1/2" x 3"	SQUARE BAR for NORWEST SPIKE HARROWS
2	PH5878-8	5/8" x 7/8" DIAMOND with HEAD	8"	NONE	CLAMPED/WELDED
3	PH5878-8N	5/8" x 7/8" DIAMOND NO HEAD	8"	NONE	CLAMPED/WELDED
4	PH3411	3/4" SQUARE with HEAD	11"	NONE	CLAMPED
4	PH3412	3/4" SQUARE with HEAD	12"	NONE	CLAMPED
4	PH3414	3/4" SQUARE with HEAD	14"	NONE	CLAMPED
4	PH5810	5/8" SQUARE with HEAD	10"	NONE	CLAMPED
4	PH5812	5/8" SQUARE with HEAD	12"	NONE	CLAMPED
4	PH5814	5/8" SQUARE with HEAD	14"	NONE	CLAMPED
6	PHT1212-8	1/2" x 1/2" SQUARE with THREAD	8"	1/2" x 2-1/2"	SQUARE BAR
6	PHT1212-9	1/2" x 1/2" SQUARE with THREAD	9"	1/2" x 3-3/8"	SQUARE BAR

Use Fig. 1 (above) to determine harrow spike style.

Use Fig. 2 (Page 30-7: Top Left) to determine correct dimensions of the spike.

Some items not stocked. Call Norwest for pricing and availability.

**(208) 436-1770**

www.norwest-mfg.com

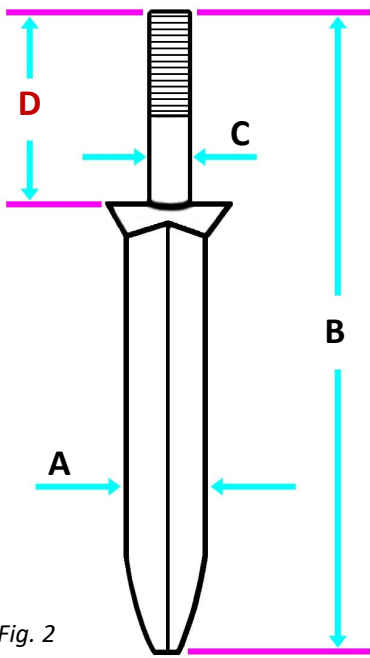


Fig. 2

V-BOLT FASTENER FOR HARROW SPIKES		
PART	NORWEST PART NUMBER	DESCRIPTION
	VB01000	V-BOLT FOR HARROW SPIKES <i>LESS NUTS</i> (A) 1-1/2" Bolt Centers (B) 2" Height ( <i>Inside Meas.</i> ) (C) 3/8" Bolt Size
	FHN38	3/8" HEX NUT <i>(not included w/ V-Bolt. Sold Separately)</i>

# Is Your Catalog Outdated?

Go to our Website and Download the Updated Catalog Today!

[www.norwest-mfg.com](http://www.norwest-mfg.com)



# NORWEST

## MANUFACTURING

71 SOUTH 215 WEST-RUPERT, ID- PHONE: (208) 436-1770 - FAX: (208) 436-1776

[www.norwest-mfg.com](http://www.norwest-mfg.com)

Blanket & Bar Harrow's 30-7